

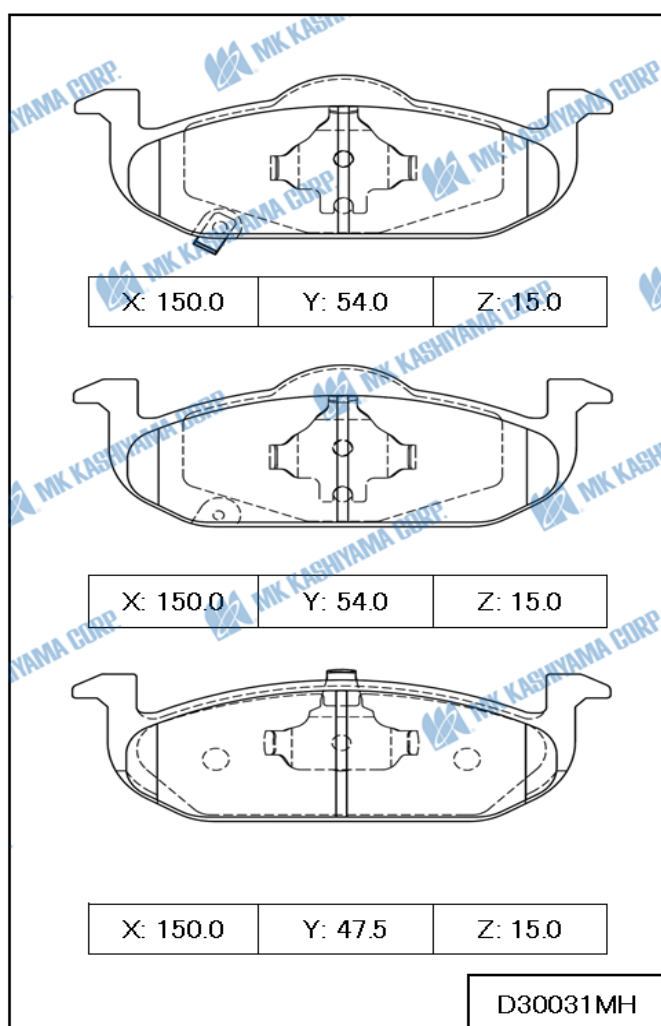
MK ITEM / INTERCHANGE NEWS

FEBRUARY New Item Information

■ BRAKE PAD

| MK No. | Position | Application | Quotation Month |
|---|----------|---|-----------------|
| D30031MH Made in Indonesia FMSI D2317 | Front | MG 3 1300cc,1500cc 2011- <EUR,GEN> MG 5 1500cc 2012-2019 <EUR,GEN> | February,2024 |

FEBRUARY New Item Drawing Information



Valuable Information

■ Newly start Products with SHIM (Existing MK Item)

| MK No. | Origin | Quotation Month |
|----------|--------------------------|-----------------|
| D11151MH | Made in Indonesia | February, 2024 |
| D3099H | Made in Indonesia, Japan | February, 2024 |
| D5171MH | Made in Indonesia | February, 2024 |

MK ITEM / INTERCHANGE NEWS

■ Newly start Product (Existing MK Item)

Below items are available from **February** order.

| MK No. | Origin |
|---------|--------------------------|
| D0011 | Made in Indonesia |
| D2310M | Made in Indonesia, Japan |
| D5245MH | Made in Indonesia, Japan |

If you require drawing please refer our web site catalogue.

■ Changed sets/carton Items (Existing MK Item)

Since starting or planning to start with SHIM products, inner box size will be bigger than before for fit with SHIM products. This is why sets/carton of without SHIM products also changed. Below products will be changed.

<From February Order>

| MK No. | Previous | Present | Origin |
|--------|-------------|-------------|---------------|
| D0011 | 24 sets/ctn | 13 sets/ctn | Made in Japan |

<From March Order> (REMIND)

| MK No. | Previous | Present | Origin |
|--------|-------------|-------------|---------------|
| D9044 | 15 sets/ctn | 12 sets/ctn | Made in Japan |

Announcement

■ Changing of back-plate hole

We change back plate hole from flat type to dent type for below MK Number products.

If you have any questions, please do not hesitate to ask us.

<Flat>



<Dent>



| MK No. | Origin |
|--------|---------------|
| D3170 | Made in Japan |
| D7037M | Made in Japan |
| D7069 | Made in Japan |
| D7070M | Made in Japan |
| D7078M | Made in Japan |
| D9005M | Made in Japan |
| D9016 | Made in Japan |
| D9066M | Made in Japan |