

MK ITEM / INTERCHANGE NEWS

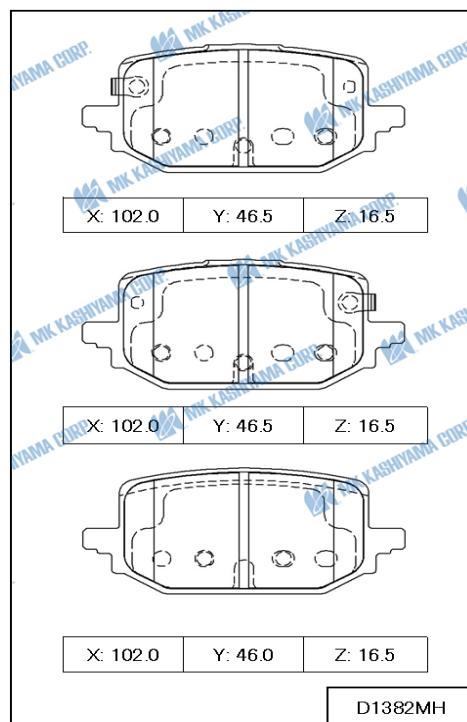
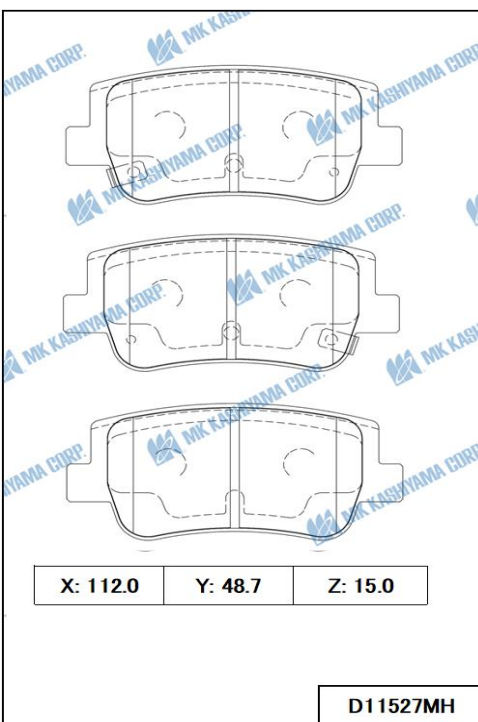
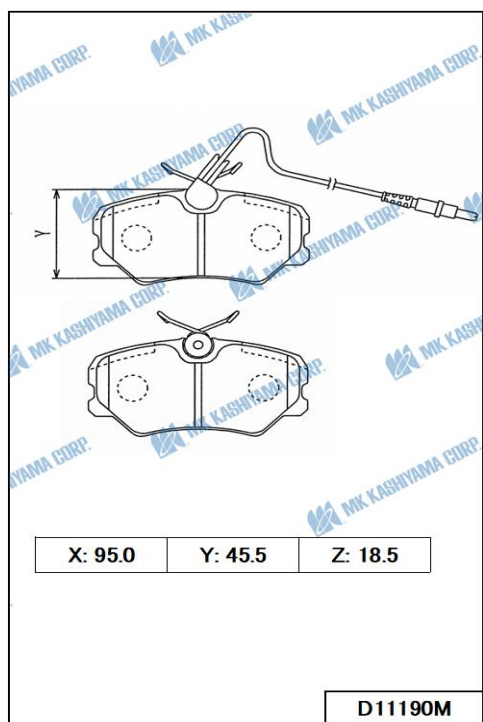
JANUARY New Item Information

■ BRAKE PAD

MK No.	Position	Application	Quotation Month
D11190M Made in Indonesia	Front	Peugeot 405 <IRN>	January,2024
D11527MH Made in Indonesia FMSI D2417	Rear	Hyundai Sonata 2500cc 19.10- <USA,CAN,AUS> Kia K5 2500cc 20.03- <USA,CAN>	January,2024
D1382MH Made in Indonesia FMSI D2506	Rear	Nissan Qashqai 1300cc,1500cc 21.05- <EUR,GEN> Nissan X-Trail 1500cc,2500cc 22.07- <EUR,GEN>	January,2024
D2400 Made in Indonesia Made in Japan	Front	Toyota Liteace/Townace 1500cc 22.01- <GCC,MMR,PHL,THA>	January,2024
D30023H Made in Indonesia FMSI D2438	Front	Audi A3 2022- <USA>	January,2024
D30062MHP Made in Indonesia FMSI D2112	Rear	MG(SAIC) GS 1500cc,2000cc 2015-2019 <EUR,GEN> MG(SAIC) HS 1500cc,2000cc 2018- <EUR,GEN>	January,2024

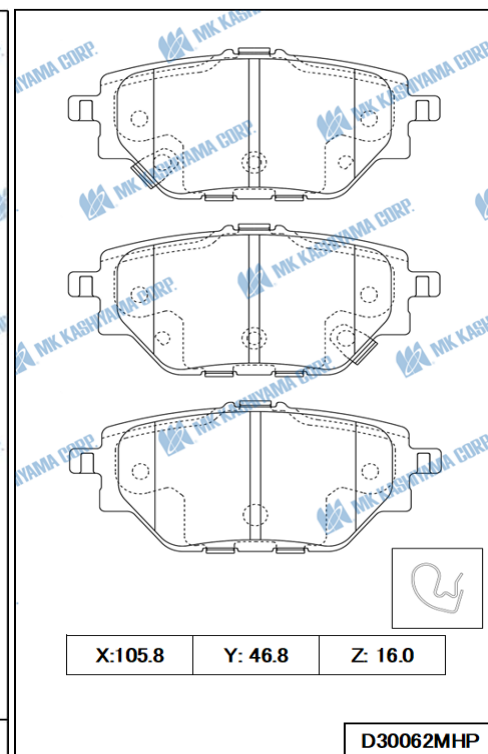
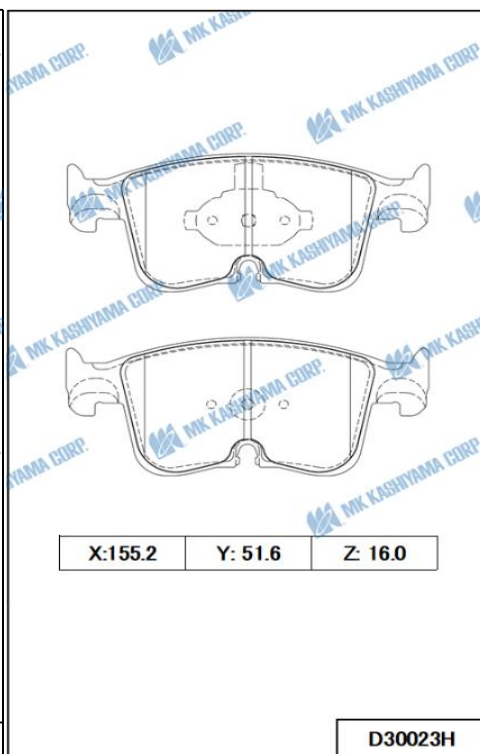
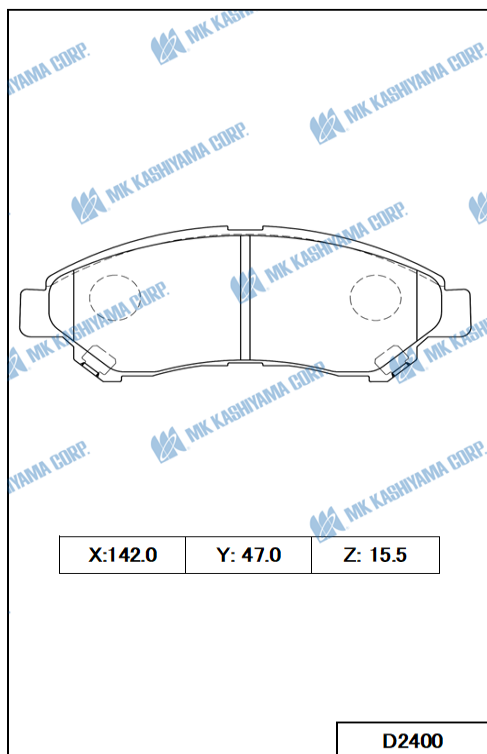
JANUARY New Item Drawing Information

■ BRAKE PAD



MK ITEM / INTERCHANGE NEWS

■ BRAKE PAD



Valuable Information

■ Newly start Products with SHIM (Existing MK Item)

MK No.	Origin	Quotation Month
D1243H	Made in Indonesia	January, 2024
D1272MH	Made in Indonesia	January, 2024
D4052H	Made in Indonesia	January, 2024
D4060MH	Made in Indonesia	January, 2024
D6066H	Made in Japan	January, 2024
D9044H	Made in Indonesia	January, 2024

■ Interchange information (Existing MK item)

MK No.	Position	Application	Year
D0051M	FRONT	SUZUKI ERTIGA (1400cc) <HRV>	2015.01-
D11148MH	FRONT	CHANGAN S35	2016-2020
D11257MH	FRONT	CHANGAN EADO NG	2019
D11257MH	FRONT	CHANGAN EADO NG +PLUS	2020
D11355MH	REAR	HYUNDAI I20 (1000cc,1200cc,1400cc) <EUR,TUR>	2020.07-
D11355MH	REAR	HYUNDAI I20 (1000cc,1400cc) <EUR,TUR>	2021.12-

MK ITEM / INTERCHANGE NEWS

D11373MH	FRONT	KIA NIRO ELECTRIC (MOTOR-150kW) <EUR>	2021.06-2022.03
D11432MH	REAR	MG 5	
D11481MH	FRONT	KIA NIRO ELECTRIC (MOTOR-160kW) <EUR>	2022.04-
D11484MH	REAR	KIA NIRO ELECTRIC (MOTOR-160kW) <EUR>	2022.04-
D11484MH	REAR	KIA NIRO HYBRID (1600cc) <EUR>	2022.03-
D11484MH	REAR	HYUNDAI TUCSON (1600cc) <EUR>	2020.06-2022.08
D11502MH	FRONT	KIA NIRO HYBRID (1600cc) <EUR>	2022.03-
D11542MH	FRONT	CHANGAN L7-B511	2020
D1231M	FRONT	INFINITI Q70 GT <AUS>	2022.05-
D1258M	FRONT	NISSAN PATROL <GEN>	2022.05-
D2140MH	FRONT	TOYOTA COASTER (2700cc,2800cc,4000cc,4200cc) <AUS,GEN,GCC,TWN,ZA>	2022.01-
D2316H	FRONT	SUZUKI ACROSS (2500cc) <EUR>	2020.02-
D3116H	FRONT	MAZDA MX-5 <EUR>	2000.08-2002.08
D5153M	FRONT	CHANGAN S75 +NG	2016-2019
D5187M	FRONT	CHANGAN CS85	
D5226MH	REAR	HONDA HR-V (1500cc) <Arab countries, UAE, ZAF>	2022
D6160H	FRONT	mitsubishi L200 (2200cc) <EUR>	2019.06-
K5524	REAR	HONDA	

■ Newly start Product at Japan Factory (Existing MK Item)

D2343 is available in Japan from **January** order.

■ Resale product at Indonesia Factory

D11190M was discontinued products, but it has been re-released. On 2024-2025 paper catalogue, D11190M stated as discontinued. if you require drawing please refer this news or our web site catalogue.

■ Changed sets/carton Items (Existing MK Item)

Since starting or planning to start with SHIM products, inner box size will be bigger than before for fit with SHIM products. This is why sets/carton of without SHIM products also changed. Below products will be changed from **January** order (End of April shipment) for made in Indonesia, and changed from **March** order (End of June shipment) for made in Japan.

<From January Order>

MK No.	Previous
D9044	15 sets/ctn
D9044H	15 sets/ctn



Present	Origin
12 sets/ctn	Made in Indonesia
12 sets/ctn	Made in Indonesia

<From March Order>

MK No.	Previous
D9044	15 sets/ctn

Present	Origin
12 sets/ctn	Made in Japan

MK ITEM / INTERCHANGE NEWS

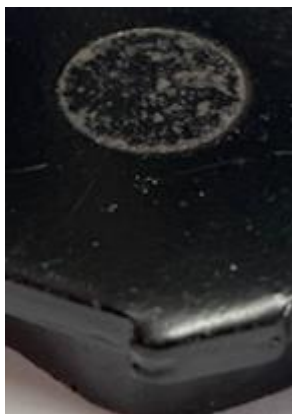
Announcement

■ Changing of back-plate hole

We change back plate hole from flat type to dent type for below MK Number products.

If you have any questions, please do not hesitate to ask us.

<Flat>



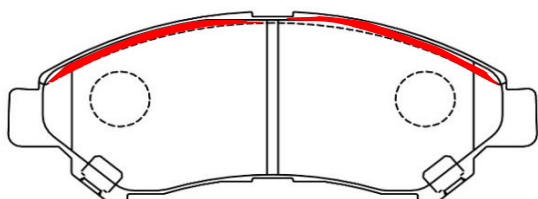
<Dent>



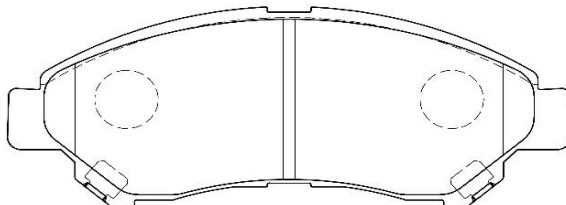
MK No.	Origin
D0051	Made in Japan
D1131M	Made in Japan
D1284M	Made in Japan
D2183M	Made in Japan
D3061	Made in Japan
D3027	Made in Japan
D3093	Made in Japan
D3130	Made in Japan
D3135M	Made in Japan
D5042M	Made in Japan
D5220M	Made in Japan
D7036	Made in Japan

■ Changing the Interchange information

• D2282



• D2400 (NEW PRODUCT)



The Interchange of OENUMBER 04465-BZ280 was changed from D2282 to D2400.

The shape of lining is difference.