

MK ITEM / INTERCHANGE NEWS

NOVEMBER New Item Information

■ BRAKE PAD

MK No.	Position	Application	Quotation Month
D30022MH Made in Indonesia FMSI No. D1375	Front	VW SHARAN 201-2016 <EUR> VW TIGUAN 2008-2017 <EUR,USA> VW PASSAT B7 2012-2018 <USA>	November, 2023
D30047H Made in Indonesia	Front	MG 6 1500cc TURBO 2020- <EUR,GEN> MG HS 1500cc,2000cc TURBO 2018- <EUR,GEN> MG ZS EV BEV 2018- <EUR,GEN>	November, 2023
D30065MH Made in Indonesia FMSI No. D2031	Front	MG 5 1500cc 2012-2019 <EUR,GEN> MG GT 1400cc,1500cc 2014-2019 <EUR,GEN> MG ZS 1000cc,1500cc TURBO 2017- <EUR,GEN>	November, 2023
D30068MH Made in Indonesia	Rear	MG ZS 1000cc,1500cc TURBO W/O EPB 2017- <EUR,GEN>	November, 2023

NOVEMBER New Item Drawing Information

■ BRAKE PAD

X: 155.1 Y: 63.0 Z: 20.0

X: 155.1 Y: 63.0 Z: 20.0

X: 156.3 Y: 68.3 Z: 19.0

D30022MH

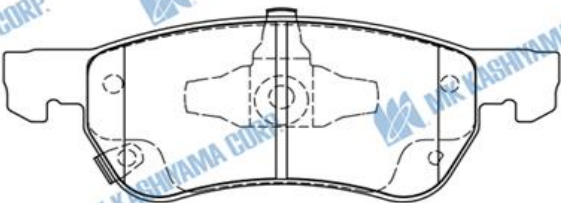
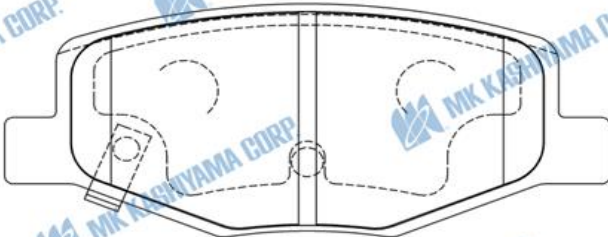
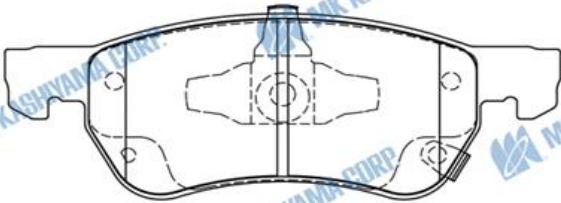
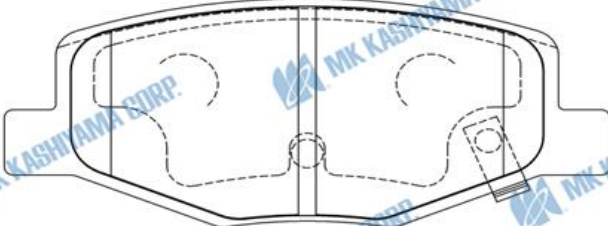
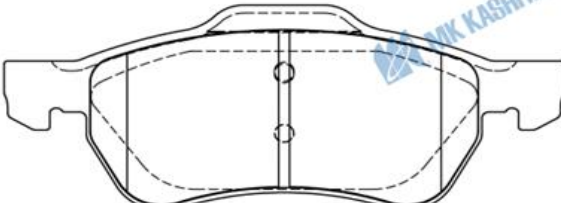
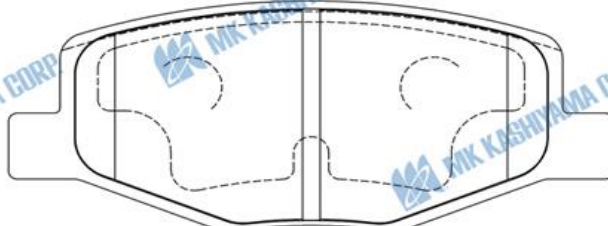
X: 155.1 Y: 63.0 Z: 20.0

X: 156.3 Y: 68.3 Z: 19.0

D30047H

MK ITEM / INTERCHANGE NEWS

■ BRAKE PAD

							
<table border="1"> <tr> <td>X: 155.2</td> <td>Y: 51.0</td> <td>Z: 17.0</td> </tr> </table>	X: 155.2	Y: 51.0	Z: 17.0				
X: 155.2	Y: 51.0	Z: 17.0					
							
<table border="1"> <tr> <td>X: 155.2</td> <td>Y: 51.0</td> <td>Z: 17.0</td> </tr> </table>	X: 155.2	Y: 51.0	Z: 17.0				
X: 155.2	Y: 51.0	Z: 17.0					
							
<table border="1"> <tr> <td>X: 156.5</td> <td>Y: 57.0</td> <td>Z: 17.0</td> </tr> </table>	X: 156.5	Y: 57.0	Z: 17.0	<table border="1"> <tr> <td>X: 103.6</td> <td>Y: 43.0</td> <td>Z: 14.0</td> </tr> </table>	X: 103.6	Y: 43.0	Z: 14.0
X: 156.5	Y: 57.0	Z: 17.0					
X: 103.6	Y: 43.0	Z: 14.0					
D30065MH	D30068MH						

Valuable Information

■ Interchange information (Existing MK item)

MK No.	Position	Application	Year
D1336MH	FRONT	NISSAN 370Z Z34 (3000cc) <USA,CAN>	2022.02-
D1355MH	FRONT	NISSAN LEAF ZE1E <AUS,EUR,GEN>	2018-2020
D5056MH	REAR	HONDA CIVIC	2006-2011
D5168MH	FRONT	HONDA JAZZ e:HEV <DEU,TUR,UK>	2023
D9066M	REAR	SUZUKI SWIFT <SAU>	2019.10-

MK ITEM / INTERCHANGE NEWS

■ Changing of back-plate hole

We change back plate hole from flat type to dent type for below MK Number products.

If you have any questions, please do not hesitate to ask us.

<Flat>



<Dent>



MK No.	Origin
D2349	Made in Japan

*No update information of SHIM production in this month MK NEWS.

Announcement

■ Shanghai AutoMechanika 2023

We are pleased inform you that we will exhibit to shanghai automechanika.

Please let us know in advance if you come to shanghai automechanika.

INVITATION

Automechanika SHANGHAI 2023

29th November- 2nd December

Booth number : C91, Hall 2.1

📍 National Exhibition and Convention Center Shanghai

We are look forward to meeting you !

automechanika
 SHANGHAI
 29.11 - 2.12.2023
 National Exhibition and Convention Center, (Shanghai)

MK KASHIYAMA
 @ Hall 2.1 C91

■ Holiday Notice

Please be informed that our office will be closed on December 4 (Mon).