

MK ITEM / INTERCHANGE NEWS

AUGUST New Item Information

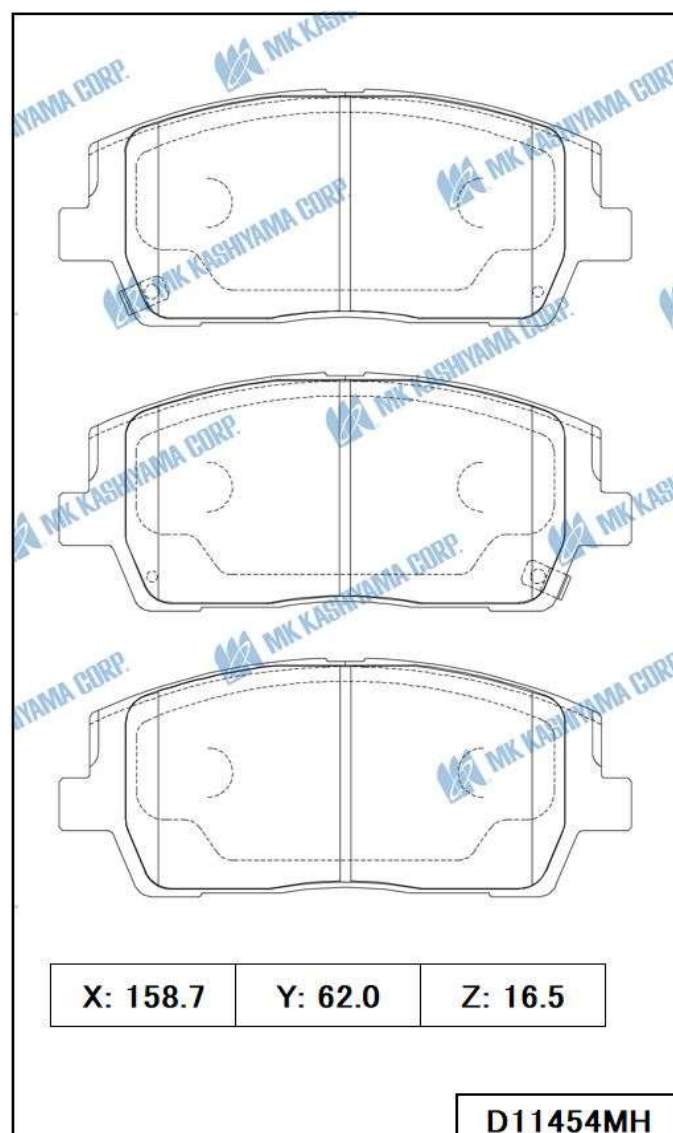
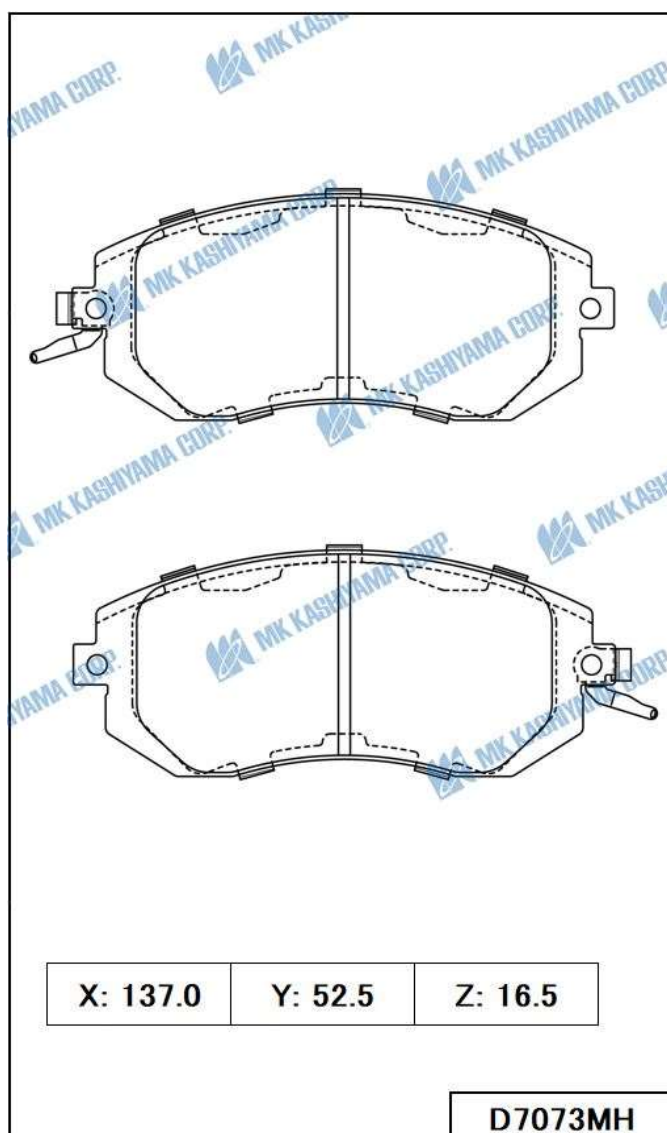
■ BRAKE PAD

MK No.	Position	Application	Quotation Month
D11454MH Made in Indonesia FMSI D2215	Front	Hyundai Palisade 2200cc,3500cc,3800cc 19.04- <EUR,USA,GEN,ME> Hyundai Santa FE 2000cc,2200cc,2400cc 18.03-20.07 <EUR,RUS> Kia Sorento 2000cc,2200cc,2400cc 17.07-20.02 <EUR,RUS>	August, 2023
D7073MH Made in Indonesia FMSI D1539	Front	Toyota 86,GR86 2000cc,2400cc 12.04- <EUR,USA,CAN,CHN> Subaru BRZ 2000cc 11.12- <EUR,USA> Subaru Forester 2000cc,2500cc 10.04- <EUR,USA>	August, 2023
K9005A Made in Japan	Rear	Suzuki Every 660cc 14.12- <HKG> Suzuki Every van,wagon 660cc 21.01- <JPN> Mazda Scrum 660cc 21.01- <JPN>	August, 2023

* "A" means difference of lining position.

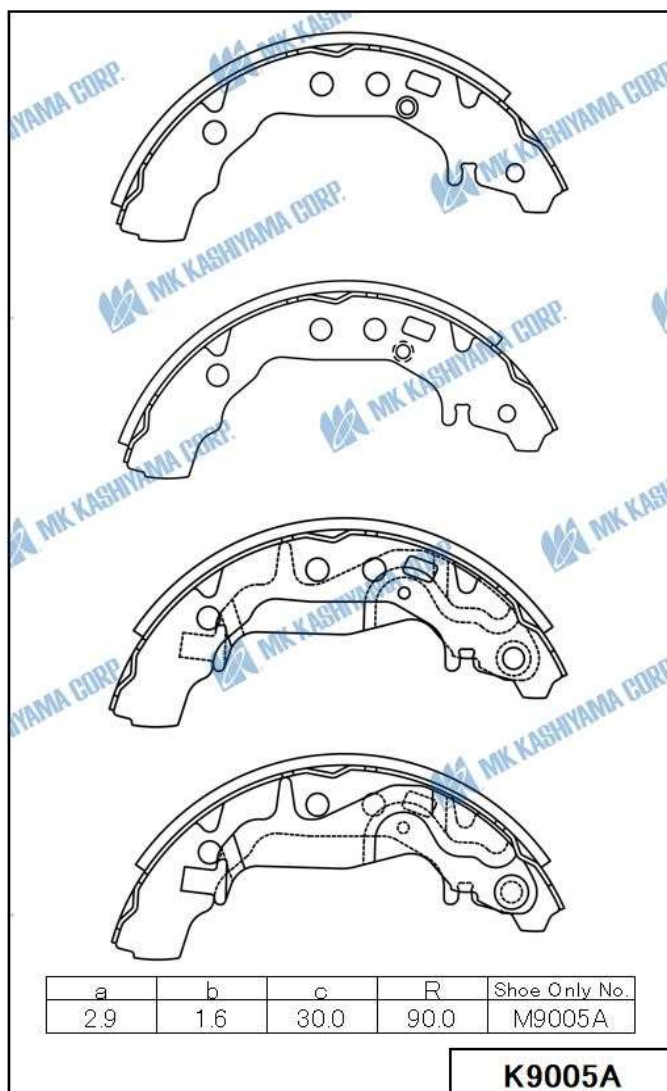
AUGUST New Item Drawing Information

■ BRAKE PAD



MK ITEM / INTERCHANGE NEWS

■ BRAKE SHOE



Valuable Information

■ Newly start Products with SHIM (Existing MK Item)

MK No.	Origin	Quotation Month
D1194MH	Made in Japan	August, 2023

■ Interchange information (Existing MK item)

MK No.	Position	Application	Year
D5168MH	FRONT	HONDA MOBILIO <IDN,ZAF>	2015-
D6039MH	FRONT	MITSUBISHI GALANT EA2A,EA2W,EA5A,EA5W <EUR>	1997.12- 2000.02

MK ITEM / INTERCHANGE NEWS

Announcement

■ Changed sets/carton Items (Existing MK Item)

Since starting or planning to start with SHIM products, inner box size will be bigger than before for fit with SHIM products.

This is why sets/carton of without SHIM products also changed.

Below products will be changed from August order (End of November shipment).

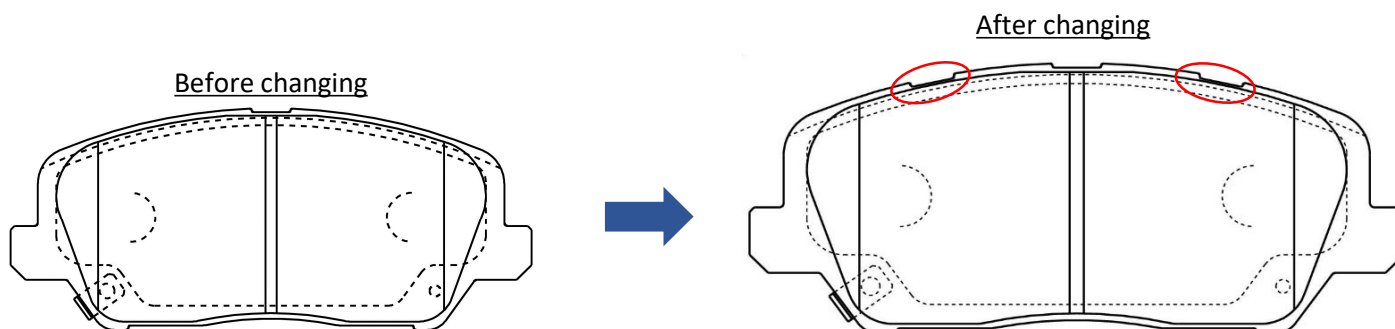
<From August Order>

MK No.	Previous	Present	Origin
D1353MH	8 sets/ctn	5 sets/ctn	Made in Indonesia
D1355MH	8 sets/ctn	5 sets/ctn	Made in Japan

■ Changing Back Plate shape

Changing the shape of Back Plate for SHIM.

Change from August shipment.



MK No.	Origin
D11305MH	Made in Indonesia

■ MK Holidays in August

We would like to inform that our Japan office will be closed from August 12th to August 16th 2023.

You will not be able to reach us during the holiday.

We will resume business from August 17th.

Therefore, there is a possibility that shipment adjustments for orders that have already been received may occur.

Thank you for your understanding.