

MK ITEM / INTERCHANGE NEWS

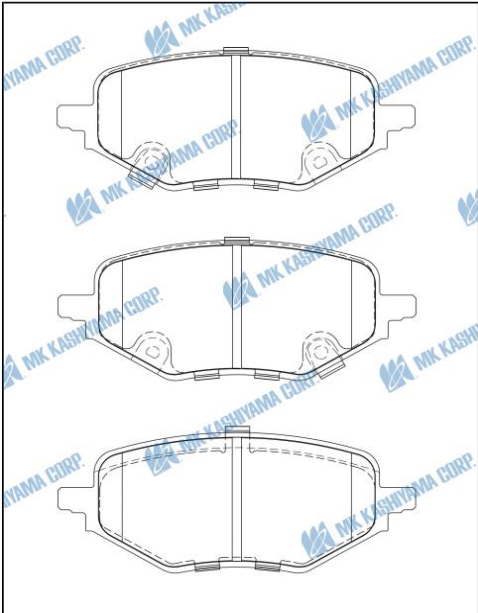
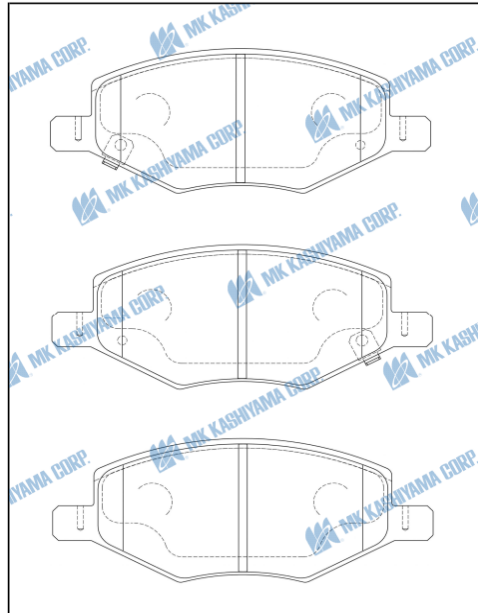
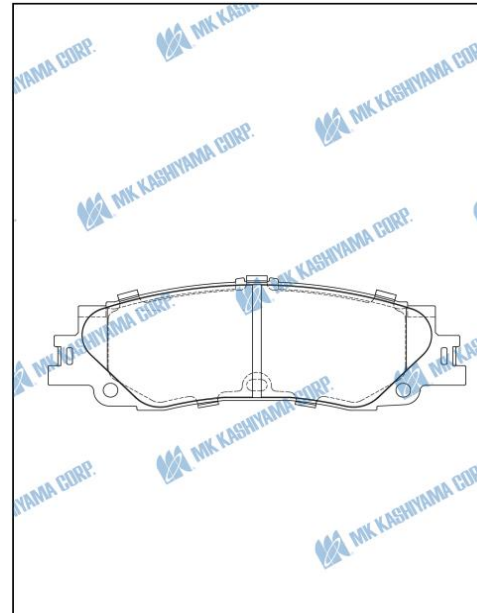
June New Item Information

■ BRAKE PAD

MK No.	Position	Application	Quotation Month
D11533MH Made in Indonesia	Rear	MG HS 1500cc,2000cc Turbo 18- <CHN> MG ZS 1000cc,1500cc Turbo W/ EPB 19- <CHN> MG ZS EV BEV 18- <CHN>	June, 2023
D11542MH Made in Indonesia	Front	Changan Alsvin 1400cc,1500cc 18- <PAK,CHN>	June, 2023
D2393H Made in Japan FMSI: D2439	Rear	Lexus LX VJA310 21.12- <EUR,USA,CAN,GCC,AUS> Toyota Tundra VXKA70,VXKH80 21.11- <USA,CAN> Toyota Land Cruiser FJA300,VJA300 21.04- <EUR,USA,CAN,GEN>	June, 2023

June New Item Drawing Information

■ BRAKE PAD

 <p>X: 116.9 Y: 46.6 Z: 14.5</p> <p>D11533MH</p>	 <p>X: 131.2 Y: 50.0 Z: 15.0</p> <p>D11542MH</p>	 <p>X: 142.7 Y: 42.5 Z: 15.0</p> <p>D2393H</p>
--	--	---

MK ITEM / INTERCHANGE NEWS

Valuable Information

■ Newly start Products with SHIM (Existing MK Item)

MK No.	Origin	Quotation Month
D1304MH	Made in Indonesia	June, 2023

■ Interchange information (Existing MK item)

MK No.	Position	Application	Year
D11352MH	REAR	HYUNDAI CRETA (1500cc,1600cc,2000cc) <EUR,GEN,ME,IND>	2020.02-
D11448MH	FRONT	HYUNDAI i30 N (2000cc) <EUR.GEN,AUS>	2020.03-
D11481MH	FRONT	HYUNDAI TUCSON (1600cc,2000cc,2500cc) <EUR,RUS,GEN,AUS>	2021.01-
D11484MH	REAR	HYUNDAI TUCSON (1600cc,2000cc,2500cc) <RUS,GEN>	2021.02-
D11487MH	REAR	HYUNDAI CRETA (1600cc) <EUR>	2021.07-
D11508MH	REAR	HYUNDAI i20 N (1600cc) <EUR,TUR,AUS>	2021.03-