

# MK ITEM / INTERCHANGE NEWS

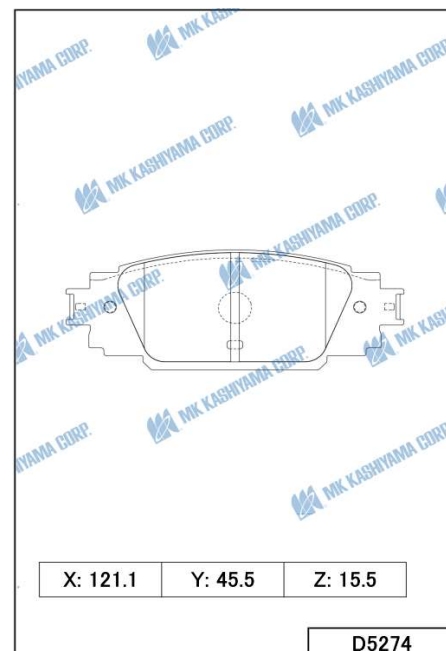
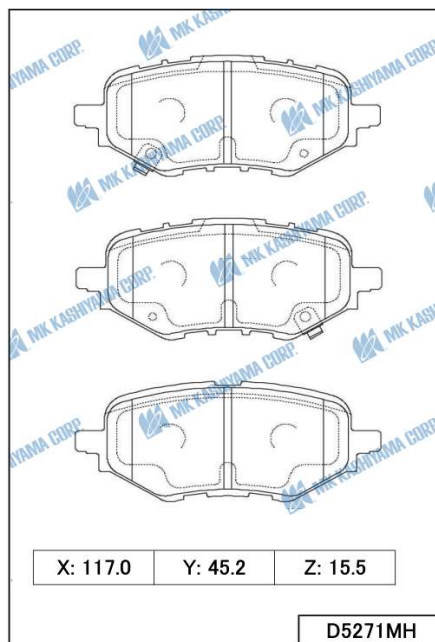
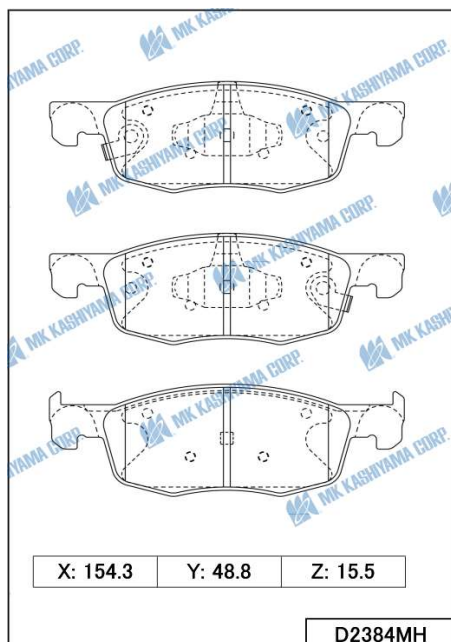
## January New Item Information

### ■ BRAKE PAD

MK No.	Position	Application	Quotation Month
D2384MH Made in Indonesia	Front	Toyota YARIS KSP211/MXPA11/MXPH11(1000/1500cc) 20.07- <EUR>	January, 2023
D5271MH Made in Indonesia Made in Japan FMSI:D2116	Rear	Honada ACCORD 4DOOR (1500cc) 19- <EUR,THA,VNM,GEN,PAK> Honada ACCORD HYBRID (2000cc) 19-21 <AUS,THA> Honda CLARITY (EV/FUELL CELL/HYBRID) 17-21 <USA>	January, 2023
D5274 Made in Japan	Rear	Honda STEP WGN RP6/7/8 (1500/2000cc) 22.05- <JPN>	January, 2023

## January New Item Drawing Information

### ■ BRAKE PAD



# MK ITEM / INTERCHANGE NEWS

## Valuable Information

### ■ Newly start Products with SHIM (Existing MK Item)

MK No.	Origin	Quotation Month
D1015H	Made in Indonesia	January, 2023
D1035MH	Made in Indonesia	January, 2023
D1083H	Made in Indonesia	January, 2023
D1107MH	Made in Japan	January, 2023
D1113MH	Made in Indonesia	January, 2023
D1123H	Made in Japan	January, 2023
D1156H	Made in Indonesia	January, 2023

### ■ Interchange information (Existing MK item)

MK No.	Position	Application	Year
D1083	REAR	MG 5/GT HATCHBACK,SEDAN (1400cc,1500cc) <GEN>	2012-2019
D11280MH	REAR	KIA SORENTO (2400cc,3500cc) <USA>	2012.12-2014.12
D11341H	FRONT	VW PASSAT	2017-
D11346H	REAR	MG 5/GT HATCHBACK,SEDAN (1400cc,1500cc) <GEN>	2012-2019
D11346H	REAR	MG GS (1500cc,2000cc) <EUR,GEN>	2015-2019
D11373MH	FRONT	KIA SOUL EV <EUR>	2016.05-2018.11
D11373MH	FRONT	KIA CEED (1000cc,1400cc,1500cc,1600cc) <EUR,RUS>	2018.12-
D11382MH	FRONT	HYUNDAI AZERA/GRANDEUR (2400cc,3000cc) <EUR,KOR>	2016.10-
D11487MH	REAR	KIA MOHAVE (3000cc) <RUS>	2019.10-2022.03
D1277H	FRONT	NISSAN PRIMASTAR (1900cc,2000cc,2500cc) <EUR>	2002.07-
D1286M	REAR	NISSAN SYLPHY EV <CHN>	2018.08-
D1304M	FRONT	INFINITI QX80 (5600cc) <EUR>	2021.01-
D1316MH	FRONT	NISSAN TIIDA (1600cc) <CHN>	2020.06-
D1329MH	REAR	INFINITI QX80 (5600cc) <EUR>	2021.01
D1353MH	FRONT	NISSAN TERRA (2500cc) <GEN,GCC,THA>	2015.05-
D1361MH	FRONT	NISSAN KICKS (1500cc) <CHN>	2020.11-2021.08
D1370H	REAR	NISSAN KICKS (1500cc) <CHN>	2021.08-
D1372H	FRONT	NISSAN X-TRAIL (1500cc) <CHN>	2021.06-
D20179MH	FRONT	FORD RAENGER RAPTOR (2000cc DIESEL) <EUR>	2019-2021
D20179MH	FRONT	FORD RAENGER RAPTOR (2000cc DIESEL) <EUR>	2019-2021
D20179MH	FRONT	FORD RAENGER RAPTOR (2000cc DIESEL) <THA>	2018-
D2316H	FRONT	TOYOTA HIGHLANDER/CROWN KLUGER (2500cc) <CHN>	2021.08-
D2316H	FRONT	TOYOTA SIENNA HYBRID (2500cc) <CHN>	2021.12-
D2355H	FRONT	TOYOTA HILUX (2000cc,2400cc,2700cc,2800cc) <GEN,AUS,GCC,IDN,THA,ZAF>	2020.06-
D2366	REAR	TOYOTA AVANZA/VELOZ (1500cc) <IDN,PHL,THA>	2021.11-
D2367H	FRONT	TOYOTA COROLLA CROSS (2000cc) <USA>	2021.09-
D2367H	FRONT	TOYOTA COROLLA CROSS (2000cc) <CHN>	2022.01-
D2368	REAR	TOYOTA HIGHLANDER/CROWN KLUGER (2500cc) <CHN>	2021.08-
D2368	REAR	TOYOTA SIENNA HYBRID (2500cc) <CHN>	2021.12-
D3142H	FRONT	MAZDA CX-5 (2200cc) <EUR>	2018.11-
D3160MH	FRONT	FORD RAENGER <THA>	2022-
D3160MH	FRONT	FORD RAENGER <THA>	2022-

Continue to next page

# MK ITEM / INTERCHANGE NEWS

MK No.	Position	Application	Year
D3170H	FRONT	MAZDA 2 (1500cc) <EUR>	2019.06-
D3182MH	FRONT	MAZDA 3 (1500cc,1800cc,2000cc) <EUR>	2018.11-
D3188MH	FRONT	MAZDA CX-30 (2000cc) <EUR>	2019.04-
D4075MH	FRONT	ISUZU D-MAX (1900cc,3000cc) <THA>	2022-
D7078M	REAR	SUBARU OUTBACK (2500cc) <EUR>	2020.10-
D7081M	FRONT	SUBARU IMPREZA SEDAN,WAGON (1600cc,2000cc) <EUR>	2016.09-
D7081M	FRONT	SUBARU OUTBACK (2500cc) <EUR>	2020.10-
D7081M	FRONT	SUBARU FORESTER (2000cc,2500cc) <EUR>	2018.04-
K1283	REAR	FORD RAENGER <THA>	2022-
K2431	REAR	TOYOTA YARIS (1300cc,1500cc) <CHN>	2016.08-
K3413	REAR	NISSAN NAVARA (2500cc) <CHN>	2019.10-
K3413	REAR	FORD RAENGER (2000cc,2200cc,2500cc,3200cc) <EUR>	2011-
K3413	REAR	FORD RAENGER (2000cc,2200cc,2500cc,3200cc) <EUR>	2011-
K3413	REAR	FORD RAENGER <THA>	2022-
K5547	REAR	HONDA CITY 4DOOR <ME>	2023-