

MK ITEM / INTERCHANGE NEWS

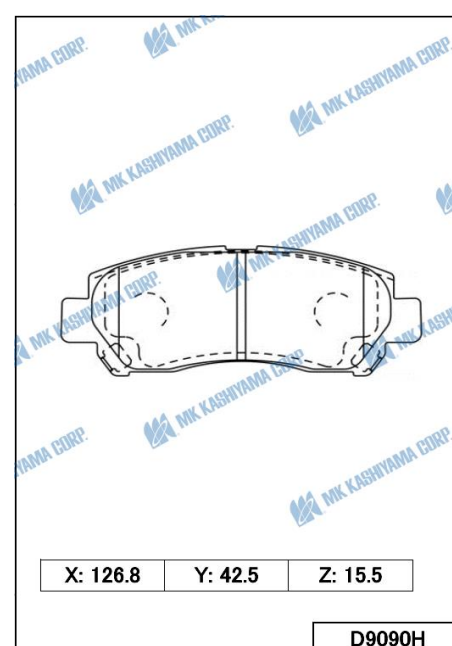
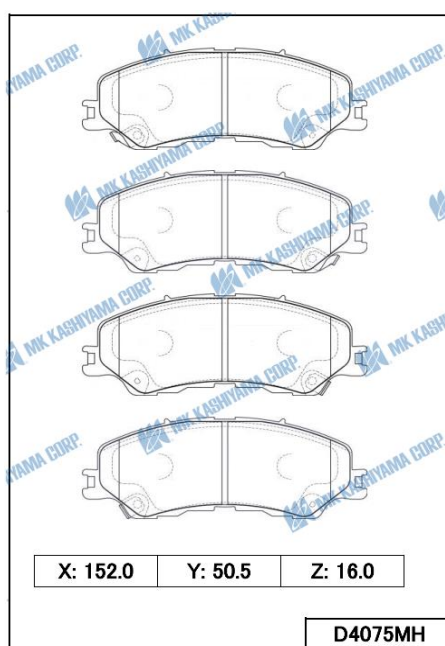
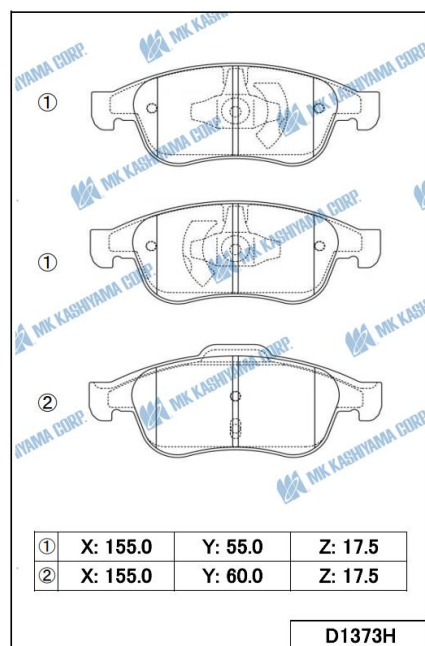
September New Item Information

■ BRAKE PAD

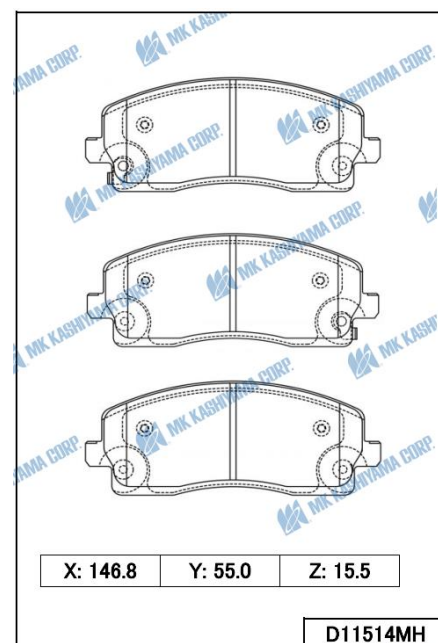
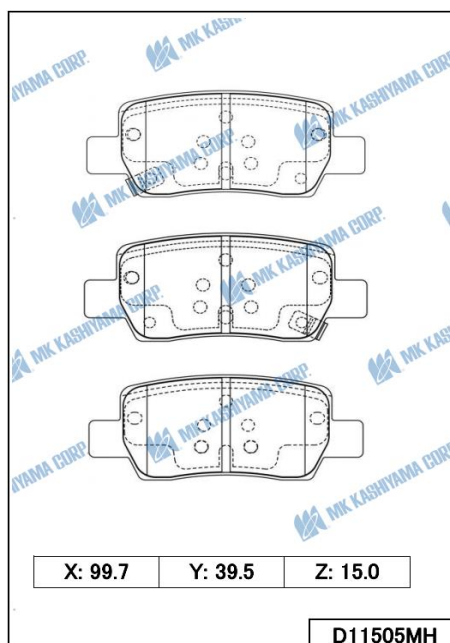
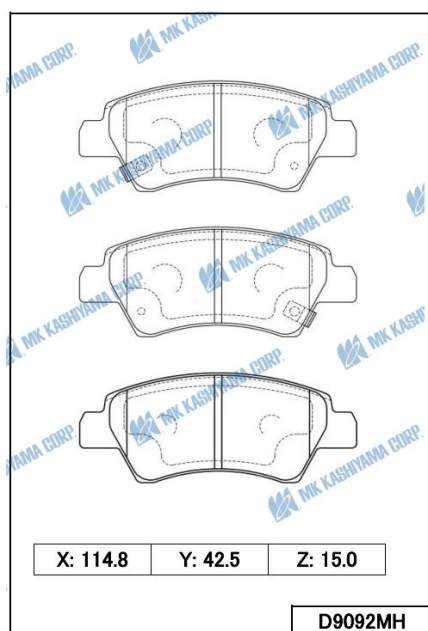
MK No.	Position	Application	Quotation Month
D1373H	FRONT	Nissan Juke F16E 1000cc 19.10- <EUR,TUR> Nissan Terrano D10 1600,2000cc 14.06- <EUR> Nissan Townstar XFK 1300cc 21.11- <EUR>	september, 2022
D4075MH	FRONT	Isuzu D-MAX TFR/TFS 1900/3000cc 20- <THA,GEN> Mazda BT-50 TF 1900/3000cc 20- <THA,GEN>	september, 2022
D9090H	FRONT	Suzuki Ertiga 1400/1500cc 16.09- <IDN,PHL,CHL,PER> Suzuki XL7 1500cc <IDN>	september, 2022
D9092MH	FRONT	Suzuki Ignis 1200/1300cc <IDN,IND,ZAF>	september, 2022
D11505MH	REAR	Hyundai Avante 1600/2000cc 20.09- <EUR> Hyundai Elantra 1600/2000cc 20.06- <EUR,RUS,USA,CAN,GEN,ME> Hyundai Ioniq Hybrid 1600cc 19.06- <USA,GEN,AUS>	september, 2022
D11514MH	FRONT	PROTON EXORA 09.03- (MYS)	september, 2022

September New Item Drawing Information

■ BRAKE PAD



MK ITEM / INTERCHANGE NEWS



Valuable Information

■ Newly start Products with SHIM (Existing MK Item)

MK No.	Origin	Quotation Month
D1047MH	Made in Japan	September. 2022
D1145MH	Made in Indonesia	September. 2022
D1250MH	Made in Indonesia	September. 2022
D1233MH	Made in Indonesia	September. 2022
D1288MH	Made in Indonesia	September. 2022
D1344MH	Made in Indonesia	September. 2022
D2065H	Made in Indonesia	September. 2022
D2343H	Made in Indonesia	September. 2022
D2349H	Made in Indonesia	September. 2022
D2360H	Made in Indonesia	September. 2022
D2367H	Made in Indonesia	September. 2022
D3093H	Made in Indonesia	September. 2022
D3156H	Made in Indonesia	September. 2022
D3166MH	Made in Indonesia	September. 2022
D3171H	Made in Indonesia	September. 2022
D5013H	Made in Indonesia	September. 2022
D5168MH	Made in Indonesia	September. 2022
D5077MH	Made in Indonesia	September. 2022
D5198MH	Made in Indonesia	September. 2022
D6067MH	Made in Indonesia	September. 2022
D6078H	Made in Japan	September. 2022
D9024H	Made in Indonesia	September. 2022
D9059H	Made in Indonesia	September. 2022
D9060H	Made in Indonesia	September. 2022

MK ITEM / INTERCHANGE NEWS

■ Interchange information (Existing MK item)

MK No.	Position	Application	Year
D1286M	REAR	NISSAN MAXIMA A36 (3500cc) <EUR-LHD,GCC>	2021.01-
D1286M	REAR	NISSAN ALTIMA L34 (2500cc) <EUR-LHD,USA,MEX,LA,KOR>	2020.09-
D1312H	FRONT	NISSAN QASHQAI J10E (1500cc,1600cc,2000cc) <EUR-LHD>	2012.07- 2013.09
D1344M	FRONT	NISSAN ALTIMA L34 (2500cc) <EUR-LHD,USA,CAN,MEX,LA>	2020.09-
D2316H	FRONT	SUZUKI ACROSS (2500cc) <EUR>	2020.02-
D2316H	FRONT	SUZUKI ACROSS (2500cc) <EUR>	2020.02-
D2368	REAR	SUZUKI ACROSS (2500cc) <EUR>	2020.02-
D2368	REAR	SUZUKI ACROSS (2500cc) <EUR>	2020.02-
D2375MH	REAR	SUZUKI SWACE (1800cc) <EUR>	2020.05- 2021.03
D2375MH	REAR	SUZUKI SWACE (1800cc) <EUR>	2020.05- 2021.03
D5237M	FRONT	HONDA CR-V (1500cc TURBO,2000cc,2400cc) <EUR>	2019-2022
D5248MH	REAR	HONDA CR-V (1500cc TURBO,2000cc,2400cc) <EUR>	2019-2022
D9029M	FRONT	SUZUKI CELERIO (1000cc) <DEU,UK>	2015.02-
D9029M	FRONT	SUZUKI CELERIO (1000cc) <DEU,UK>	2015.02-
D9066M	REAR	SUZUKI SWIFT SPORT (1400cc TURBO) <DEU,UK>	2017.10-
D9066M	REAR	SUZUKI SWIFT SPORT (1400cc TURBO) <DEU,UK>	2017.10-
D9066M	REAR	SUZUKI BALENO (1000cc,1400cc) <DEU,UK,ISR,AUS,ZAF,LA>	2017.12-
D9066M	REAR	SUZUKI BALENO (1000cc,1400cc) <DEU,UK,ISR,AUS,ZAF,LA>	2017.12-
D9078	FRONT	SUZUKI BALENO (1000cc,1400cc) <DEU,UK,ISR,AUS,ZAF,LA>	2017.12-
D9078	FRONT	SUZUKI SX4 S-CROSS (1000cc,1400cc) <DEU,UK,RUS,ISR>	2018.02-
D0051M	FRONT	SUZUKI SWIFT SPORT (1400cc TURBO) <DEU,UK>	2017.10-
D0051M	FRONT	SUZUKI SWIFT SPORT (1400cc TURBO) <DEU,UK>	2017.10-
D0051M	FRONT	SUZUKI BALENO (1000cc,1400cc) <DEU,UK>	2015.06-
D0051M	FRONT	SUZUKI BALENO (1000cc,1400cc) <DEU,UK>	2015.06-
D0051M	FRONT	SUZUKI SWIFT (1000cc,1200cc DIESEL) <DEU,UK,ISR>	2016.10-
D0051M	FRONT	SUZUKI SWIFT (1000cc,1200cc DIESEL) <DEU,UK,ISR>	2016.10-
D0051M	FRONT	SUZUKI SWIFT (1000cc,1200cc DIESEL) <DEU,UK,ISR>	2016.10-
D0051M	FRONT	SUZUKI SWIFT (1000cc,1200cc DIESEL) <DEU,UK,ISR>	2016.10-
K9003	REAR	SUZUKI ERTIGA (1400cc) <HRV>	2015.01-
K9003	REAR	SUZUKI ERTIGA (1400cc) <HRV>	2015.01-
K9003	REAR	SUZUKI ERTIGA (1400cc) <HRV>	2015.01-
K9003	REAR	SUZUKI ERTIGA (1400cc) <HRV>	2015.01-

MK ITEM / INTERCHANGE NEWS

Announcement

■ Changed sets/carton Items (Existing MK Item)

Since starting or planning to start with SHIM products, inner box size will be bigger than before for fit with SHIM products.

This is why sets/carton of without SHIM products also changed.

Below products will be changed from September order (End of December shipment).

<From September Order>

MK No.	Previous		Present	Origin
D5077M	15 sets/ctn	➔	13 sets/ctn	Made in Japan / Made in Indonesia
D3093	24 sets/ctn		15 sets/ctn	Made in Japan / Made in Indonesia
D9024	24 sets/ctn		15 sets/ctn	Made in Japan / Made in Indonesia

■ Discontinued bolt include

We will no longer included bolts with the following items from Oct 22' shipment:

Sorry for this inconvenience, but your kind understanding would be highly appreciated.

If you have any questions, please do not hesitate to ask us.

MK No.	Origin
D1082	Made in Japan
D1083	Made in Japan