

MK ITEM / INTERCHANGE NEWS

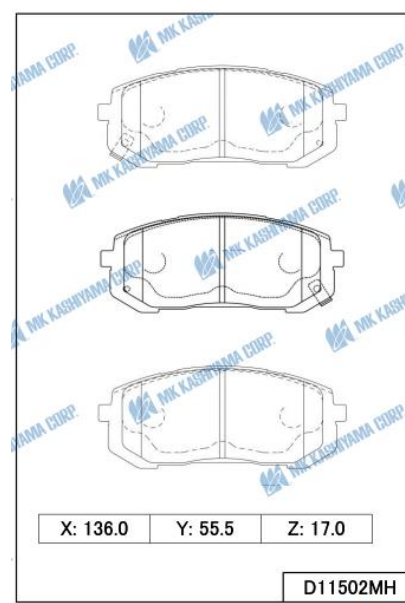
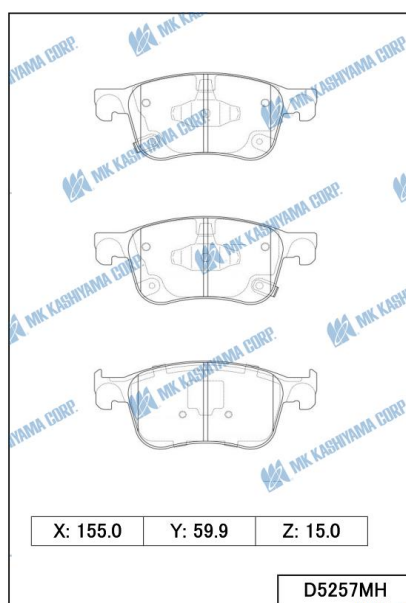
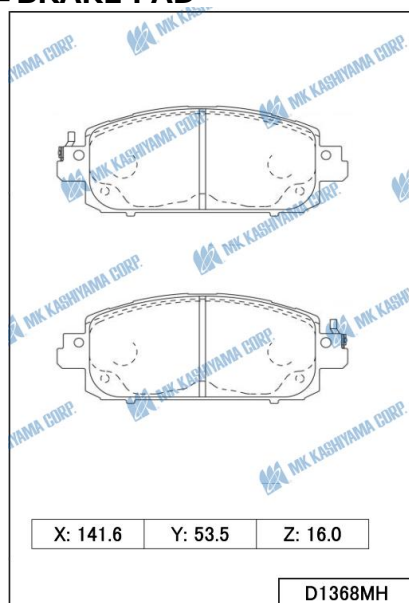
July New Item Information

■ BRAKE PAD

MK No.	Position	Application	Quotation Month
D1368MH Made in Japan Made in Indonesia FMSI: D2310	Front	Nissan Sentra B18X (2000cc) 19.11- <USA,CAN,MEX> Nissan Juke F16E (1000cc TURBO) 20.01- <GEN,AUS,TWN> Nissan Kicks P15 (1200,1500,1600cc) 16.04- <USA,CAN,LA,GCC,CHN,THA>	July. 2022
D5257MH Made in Indonesia FMSI: D2115	Front	Honda Accord (1500cc,2000cc) 2018-2020 <USA>	July. 2022
D11502MH Made in Indonesia FMSI: D2400	Front	Hyundai Avante (1600cc,2000cc) 20.09- <EUR> Hyundai Elantra (1600cc,2000cc) 20.06- <EUR,RUS,USA,CAN,GEN,ME,AUS>	July. 2022

July New Item Drawing Information

■ BRAKE PAD



Valuable Information

■ Newly start Products with SHIM (Existing MK Item)

MK No.	Origin	Quotation Month
D2108H	Made in Indonesia	July. 2022
D2145H	Made in Japan	July. 2022
D6127H	Made in Indonesia	July. 2022
D9019MH	Made in Indonesia	July. 2022

MK ITEM / INTERCHANGE NEWS

■ Interchange information (Existing MK item)

MK No.	Position	Application	Year
D1267MH	FRONT	NISSAN FRONTIER D40,D41 (3800cc) <USA,CAN,MEX>	2020.03-
D1267MH	FRONT	NISSAN FRONTIER D41 (3800cc) <CAN, MEX>	2021.11-
D1282M	FRONT	INFINITI Q50,Q60 V37,CV37 (3000cc) <USA,CAN>	2019.07-
D1284M	REAR	INFINITI Q50,Q60 V37,CV37 (3000cc) <USA,CAN>	2020.06-
D1286M	REAR	NISSAN ROGUE SPORT/QASHQAI J11 (2000cc) <USA,CAN>	2021.12-
D1286M	REAR	NISSAN LEAF ZE1 (EV) <USA,MEX,KOR>	2019.11-
D1323MH	REAR	NISSAN FRONTIER D40,D41 (3800cc) <USA,CAN,MEX>	2020.03- 2021.11
D1323MH	REAR	NISSAN FRONTIER D41 (3800cc) <USA,CAN,MEX>	2021.11-
D1336MH	FRONT	INFINITI Q50,Q60 V37,CV37 (3000cc) <USA,CAN>	2020.06-
D1339H	FRONT	NISSAN ROGUE SPORT/QASHQAI J11 (2000cc) <USA,CAN>	2020.11-
D1355MH	FRONT	NISSAN LEAF ZE1 (EV) <USA,CAN,MEX,KOR>	2019.11-
D1370H	REAR	NISSAN ROGUE T33U (1500cc,2500cc) <USA,CAN>	2020.09-
D20149H	FRONT	FORD TRANSIT 150/250/350/350HD <USA>	2015-2020
D20232H	FRONT	FORD F-150 RAPTOR (3500cc) <USA>	2019-2020

Announcement

■ Changed sets/carton Items (Existing MK Item)

Since starting or planning to start with SHIM products, inner box size will be bigger than before for fit with SHIM products.

This is why sets/carton of without SHIM products also changed.

Below products will be changed from August order (End of November shipment).

<From August Order>

MK No.	Previous	Present	Origin
D2140M	8 sets/ctn	5 sets/ctn	Made in Japan / Made in Indonesia

■ Changed sensor (Existing MK Item)

D6133M sensor will be changed from end of August shipment.(Made in indonesia)

For Made in Japan, D6133M sensor will be changed from September Order. (End of November shipment)

