

# MK NEWS

21-12

2021.12.17

## JAPAN



### Yakiniku

Written by : Hiroka Yasuda

Quoted from Wikipedia :

<https://en.wikipedia.org/wiki/Yakiniku>

Yakiniku (焼き肉 or 焼肉), meaning "grilled meat", is a Japanese term that, in its broadest sense, refers to grilled meat cuisine. "Yakiniku" originally referred to western "barbecue" food, the term being popularized by Japanese writer. Today, "yakiniku" commonly refers to a style of cooking bite-size meat (usually beef and offal) and vegetables on gridirons or griddles over a flame of wood charcoals carbonized by dry distillation (sumibi, 炭火) or a gas/electric grill. It is one of the most popular national dishes of Japan. The origin of contemporary yakiniku is conventionally considered to have been inspired by similar Korean cuisine. Sometimes called Korean barbecue in the United States.

Many yakiniku restaurants offer "all-you-can-eat" where you can order as much meat as you like in time, and it is popular with young people because you can eat a lot of meat at a low price.



Introduction of YAKINIKU



 **Click**

### MK Activity Report in 2021

#### 1. MK Brand are starting to sell the New Friction Material

We started to change to New Friction Material. The new friction material is for SUV, Van, Heavy Vehicle application. It took almost two years from propose this project to approved to start selling. Before selling, we tried to actual driving test in some countries. According this test, this friction is no problem to use and good performance. This friction's good point is long life and good stop even overloading or heavy vehicle. In addition, less wear than our old friction.

#### • Tested Actual Driving with New Friction Brake Pads

- 1)United Kingdom, 2)Germany, 3)Poland, 4)Russia, 5)Thailand, 6)Dubai, 7)Singapore, 8)USA, and more.

#### 2. MK KASHIYAMA CORP was celebrating its 60th anniversary.

We prepared 60th anniversary gifts to our customers. And we got many grateful message we have from them.



# MK ITEM / INTERCHANGE NEWS

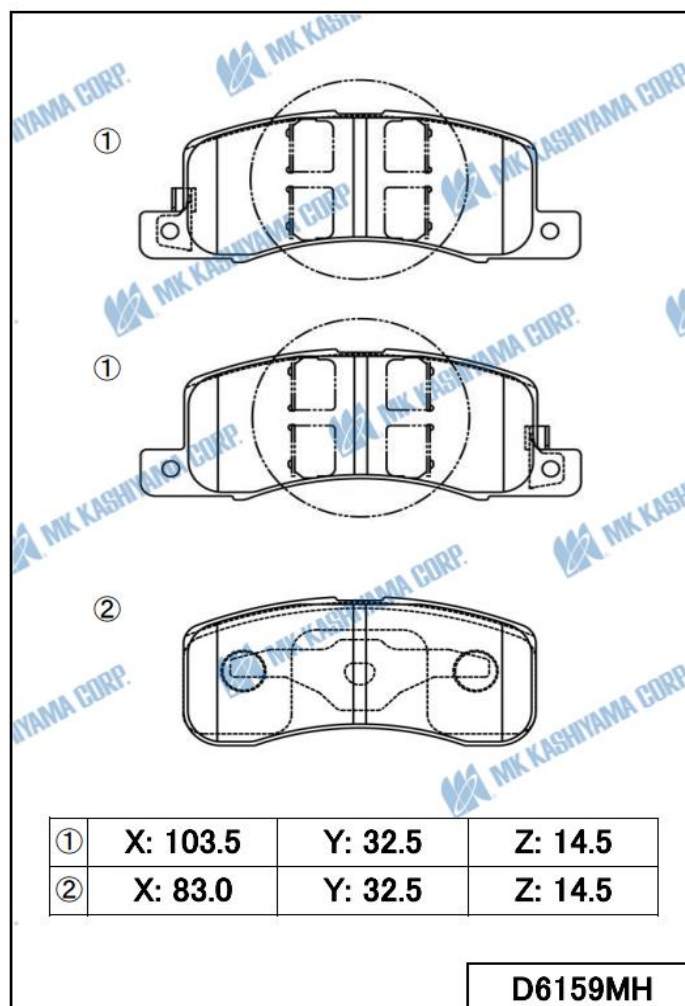
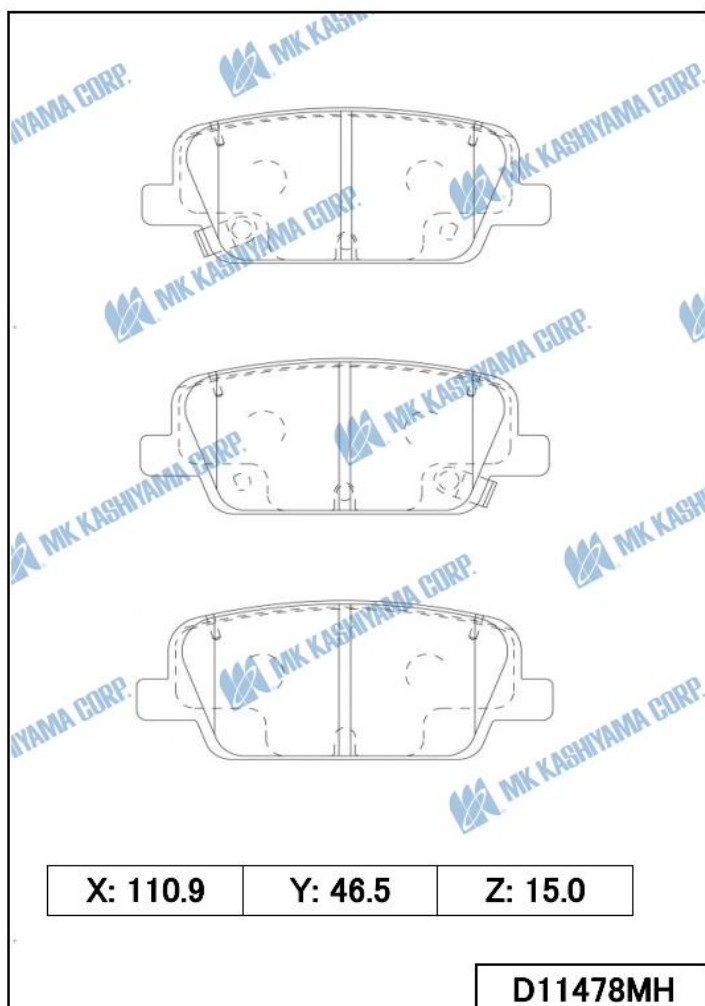
## December New Item Information

### ■ BRAKE PAD

MK No.	Position	Application	Quotation Month
D11478MH Made in Indonesia	Rear	Hyundai Palisade (2200cc,3500cc,3800cc)19.04- <EUR,GEN,ME,AUS> Hyundai Santa FE (2200cc,2400cc,3500cc) 19.12- <EUR,RUS>	December. 2021
D6159MH Made in Indonesia	Front	Nissan Dayz B21W (660cc) 14.11- <JPN> Nissan Dayz Rook B21A (660cc) 14.11- <JPN> Nissan Rook B44A 12Inchi Brake (660cc) 20.03- <JPN> Mitsubishi eK B11A (660cc) 14.11- <JPN>	December. 2021

## December New Item Drawing Information

### ■ BRAKE PAD



# MK ITEM / INTERCHANGE NEWS

## Valuable Information

### ■ Newly start Product at Indonesia Factory (Existing MK Item)

D2164M / D2242 / D2266M / D6133M / D6159M

are available in Indonesia from December order.

### ■ Newly start Products with SHIM (Existing MK Item)

MK No.	Origin	Quotation Month
D2174MH	Made in Indonesia	December. 2021
D2326H	Made in Indonesia	December. 2021
D2329H	Made in Indonesia	December. 2021
D7036H	Made in Indonesia	December. 2021
D7073MH	Made in Japan	December. 2021
D7055MH	Made in Indonesia	December. 2021

### ■ Interchange Information (Existing MK Item)

MK No.	Position	Application	Year
D2361M	Front	TOYOTA CALYA B401(1200cc) <GEN-RHD>	2020.06-
D2375MH	Rear	TOYOTA COROLLA ZRE210 (1600cc),NRE210 (1200cc) <EUR,GEN,GCC>	2019.01-
D2375MH	Rear	TOYOTA YARIS MZPH11(1500cc) <EUR>	2020.07-
D7078M	Rear	SUBARU LEGACY,OUTBACK (2400cc,2500cc) <USA>	2020-2021
K1299	Parking	NISSAN JUKE F15E (1600cc) UK MAKE <EUR>	2010.07-
K2436	Rear	TOYOTA CALYA B401(1200cc) <GEN-RHD>	2019.03-

## ANNOUNCEMENT

### ■ DISCONTINUED ITEM

We consider the following items are in very low demand. So we decided to stop production in Japan and Indonesia.

However, several items are still available from Indonesia. Please refer to the following table for details.

Sorry for this inconvenience, but your kind understanding would be highly appreciated.

If you have any questions, please do not hesitate to ask us.

MK No.	JAPAN	INDONESIA
K3395	Discontinue of receiving orders from Dec. 2021	NOT AVAILABLE
K11182	Discontinue of receiving orders from Dec. 2021	AVAILABLE
K1153	Discontinue of receiving orders from Dec. 2021	NOT AVAILABLE
K1251	Discontinue of receiving orders from Dec. 2021	AVAILABLE
K2293	Discontinue of receiving orders from Dec. 2021	Discontinue of receiving orders from Dec. 2021
K2345	Discontinue of receiving orders from Dec. 2021	NOT AVAILABLE
K3391	Discontinue of receiving orders from Dec. 2021	NOT AVAILABLE
K3395	Discontinue of receiving orders from Dec. 2021	NOT AVAILABLE
K11155	Discontinue of receiving orders from Dec. 2021	Discontinue of receiving orders from Dec. 2021
D1033M	Discontinue of receiving orders from Dec. 2021	AVAILABLE
D1066M	Discontinue of receiving orders from Dec. 2021	Discontinue of receiving orders from Dec. 2021
D1091	Discontinue of receiving orders from Dec. 2021	Discontinue of receiving orders from Dec. 2021
D11091M	Discontinue of receiving orders from Dec. 2021	AVAILABLE

# MK ITEM / INTERCHANGE NEWS

## ■ New Regulation 90 Approval Item (For EU Market) \*Only made in Indonesia

MK No.	Position	Application	Approval No.
D0038M	Front	DAIHATSU CUORE, MIRA 9812-0212	90R-02A01589/57273
D5162M	Rear	HONDA ACCORD 2DOOR 08-	90R-02A01589/57275
D2250	Rear	LEXUS RX350,RX400h 0601-0812	90R-02A01589/57276
D5137M	Rear	HONDA CROSSROAD 0702-	90R-02A01589/57278
D2183M	Front	TOYOTA PRIUS 0308-0903	90R-02A01589/57279
D2183MH	Front	TOYOTA PRIUS 0308-0903	90R-02A01589/57279
D2283M	Front	TOYOTA IQ 0811-1405	90R-02A01589/57279
D7064M	Rear	SUBARU IMPREZA 0706-1401	90R-02A01589/57280
D7064MH	Rear	SUBARU IMPREZA 0706-1401	90R-02A01589/57280
D3143	Rear	MAZDA CX-7 0705-	90R-02A01589/57282
D2252	Front	TOYOTA YARIS 0508-1208	90R-02A01589/57283
D2252H	Front	TOYOTA YARIS 0508-1208	90R-02A01589/57283
D2315	Front	TOYOTA PRIUS 0904-	90R-02A01589/57283
D2315H	Front	TOYOTA PRIUS 0904-	90R-02A01589/57283
D2253	Front	TOYOTA YARIS 0508-1407	90R-02A01589/57284
D2343	Front	TOYOTA YARIS 1304-	90R-02A01589/57285
D0044	Front	TOYOTA AVANZA 0312-	90R-02A01589/57286
D5080M	Front	HONDA ACCORD 4DOOR 90-97	90R-02A01589/57287
D5091M	Front	HONDA ACCORD 98-	90R-02A01589/57287
D5116M	Front	HONDA CR-V 02-	90R-02A01589/57287
D11129	Front	DAEWOO KALOS 03 -	90R-02A01589/57288
D11129H	Front	DAEWOO KALOS 03 -	90R-02A01589/57288
D11271M	Front	CHEVROLET MATIZ, SPARK	90R-02A01589/57288
D11271MH	Front	CHEVROLET MATIZ, SPARK	90R-02A01589/57288
D11348MH	Front	CHEVROLET AVEO 09-11	90R-02A01589/57288
D2246M	Front	TOYOTA YARIS 0101-0511	90R-02A01589/57289
D2246MH	Front	TOYOTA YARIS 0101-0511	90R-02A01589/57289
D9046M	Front	SUZUKI SWIFT SF310,SF413	90R-02A01589/57289
D9051M	Front	SUZUKI WAGON R+	90R-02A01589/57289
D9051MH	Front	SUZUKI WAGON R+	90R-02A01589/57289
D3122M	Front	MAZDA BT-50 0608-	90R-02A01589/57290
D3122MH	Front	MAZDA BT-50 0608-	90R-02A01589/57290
D6090	Front	MITSUBISHI CARISMA 9505-	90R-02A01589/57291
D6126	Front	MITSUBISHI CARISMA 9505-0312	90R-02A01589/57291
D1250M	Front	NISSAN AD, AD EXPERT 0612-	90R-02A01589/57292
D9017	Front	SUZUKI CARRY, SUPER CARRY SK410 8910-	90R-02A01589/57293
D2269	Rear	TOYOTA RAV4 0511-	90R-02A01589/57294
D2269H	Rear	TOYOTA RAV4 0511-	90R-02A01589/57294
D2327	Rear	LEXUS HS250H 1001-	90R-02A01589/57294
D1341M	Rear	NISSAN QASHQAI 1312-	90R-02A01589/57295
D3172MH	Rear	MAZDA 6 1606-	90R-02A01589/57295
D0051M	Front	MAZDA 2 0706-	90R-02A01589/57296
D11347H	Front	FORD FIESTA 0807-	90R-02A01589/57296

# MK ITEM / INTERCHANGE NEWS

D3144M	Front	MAZDA DEMIO 0707-	90R-02A01589/57296
D3170	Front	MAZDA 2 1410-	90R-02A01589/57296
D5011	Front	HONDA ACCORD 82-	90R-02A01589/57297
D5011H	Front	HONDA ACCORD 82-	90R-02A01589/57297
D2166	Front	TOYOTA CAMRY 9608-0109	90R-02A01646/57298
D2166H	Front	TOYOTA CAMRY 9608-0109	90R-02A01646/57298
D2197	Front	TOYOTA PREVIA, TARAGO 0002-0304	90R-02A01646/57298
D2177M	Front	LEXUS LX470 0208-0708	90R-02A01646/57299
D2177MH	Front	LEXUS LX470 0208-0708	90R-02A01646/57299
D2266M	Front	LEXUS GS 0501-	90R-02A01646/57300
D5100M	Front	HONDA ACCORD 08-12	90R-02A01646/57301
D5100MH	Front	HONDA ACCORD 08-12	90R-02A01646/57301
D5113M	Front	HONDA STREAM 03-05	90R-02A01646/57301
D5122M	Front	HONDA ACCORD 03-07	90R-02A01646/57301
D5177M	Front	HONDA ACCORD 10 - 12	90R-02A01646/57301
D5177MH	Front	HONDA ACCORD 10 - 12	90R-02A01646/57301
D5198M	Front	HONDA CIVIC 13	90R-02A01646/57301
D5128M	Front	HONDA CIVIC 16	90R-02A01646/57302
D5128MH	Front	HONDA CIVIC 16	90R-02A01646/57302
D2275	Front	TOYOTA HILUX 0507-1108	90R-02A01646/57303
D2303	Front	TOYOTA HILUX 0408-	90R-02A01646/57303
D2303H	Front	TOYOTA HILUX 0408-	90R-02A01646/57303
D1218M	Front	NISSAN PATROL 9710-0812	90R-02A01646/57306
D1218MH	Front	NISSAN PATROL 9710-0812	90R-02A01646/57306
D1253M	Front	NISSAN ATLAS 0706-	90R-02A01646/57307
D2052	Front	TOYOTA COASTER 8205-9301	90R-02A01646/57308
D2140M	Front	TOYOTA COASTER 9301-	90R-02A01646/57308
D2148M	Front	TOYOTA COASTER 9301-1311	90R-02A01646/57308
D2207M	Front	TOYOTA DYNA 9905-	90R-02A01646/57308
D6128M	Front	MITSUBISHI PAJERO SPORT 0807-	90R-02A01646/57309
D6141M	Front	MITSUBISHI L200 0512-	90R-02A01646/57309
D1353M	Front	NISSAN NP300 NAVARA 1511-	90R-02A01646/57310
D11095MH	Front	HYUNDAI LANTRA 9903-	90R-02A01646/56520

## ■ Changed SETS/CTN Products (Existing MK Item)

Since starting or planning to start with SHIM products, inner box size will be bigger than before for fit with SHIM products. This is why sets/ctn of without SHIM products also changed.

Below products will be changed from SEPTEMBER Order (DECEMBER shipment). Please remind this.

### <From End of December shipment>

MK No.	Previous	Present	Origin
D6113	10 sets/ctn	5 sets/ctn	Made in Japan / Indonesia