

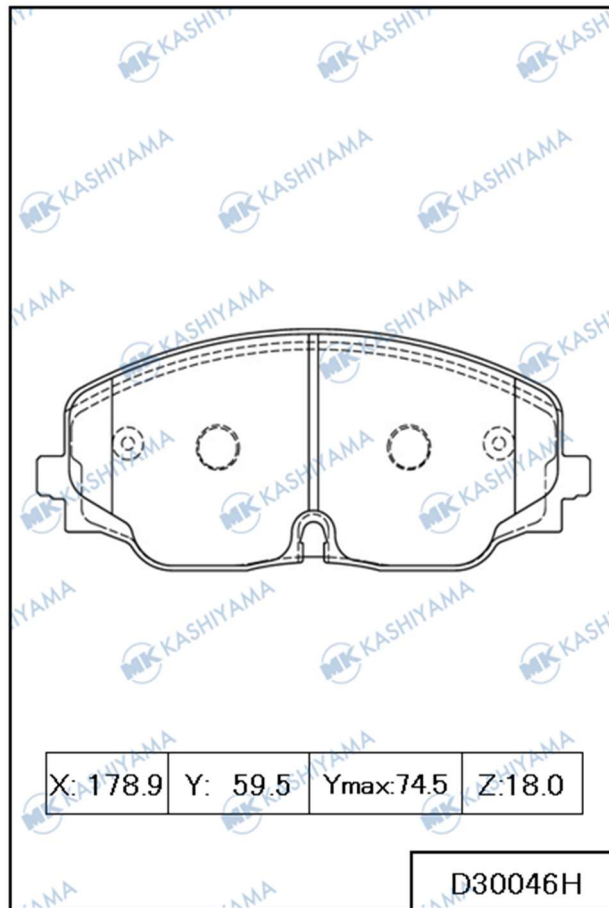
MK KASHIYAMA ITEM / INTERCHANGE NEWS

APRIL New Item Information

■ BRAKE PAD

No.	Position	Application	Quotation Month
D30046H Made in Indonesia FMSI D2074	FRONT	VW ATLAS 2017- <USA/CAN>	April, 2025

APRIL New Item Drawing Information



Valuable Information

■ Newly start Products with SHIM (Existing MK KASHIYAMA Item)

No.	Origin	Quotation Month
D2090H	Made in Japan	April, 2025
D2268H	Made in Japan	April, 2025
D2270H	Made in Japan	April, 2025
D3027H	Made in Japan	April, 2025

MK KASHIYAMA ITEM / INTERCHANGE NEWS

Valuable Information

■ Changed sets/carton Items (Existing MK KASHIYAMA Item)

SETS/CTN of below products changed from March shipment for Made in Indonesia.

<From March shipment>

No.	Previous	Present	Origin
D11051M	13 sets/ctn	8 sets/ctn	Made in Indonesia
D3053M	18 sets/ctn	12 sets/ctn	Made in Indonesia



Announcement

■ Changing of back-plate hole

We change back plate hole from flat type to dent type for below MKKASHIYAMA Number products. If you have any questions, please do not hesitate to ask us.

<Flat>



<Dent>



No.	Origin
D1095	Made in Japan
D1200M	Made in Japan
D5226M	Made in Japan